

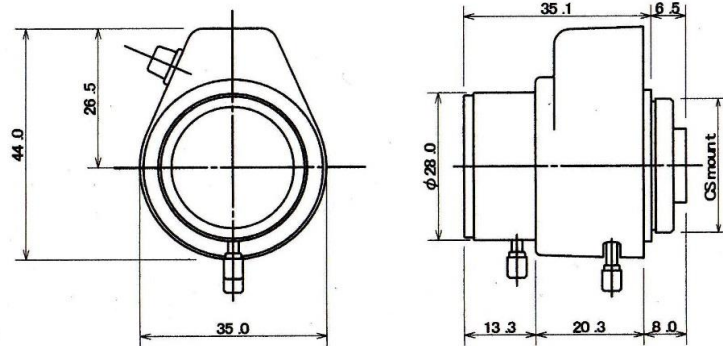
KVM2809NPIR
2.8-9mm F1.4

IR
3 Mega
P-iris

- * P-iris
- * IR corrected (Day & Night)
- * 3 Megapixel
- * CS mount for 1/2.7 & 1/3 inch



Model Name	KVM2809NPIR	
Image Foramt	1/2.7 & 1/3 inch	
Focal Length	2.8-9mm	
Iris Range	F1.4-Close	
M.O.D.	0.3m	
Angle of View	1/2.7 inch	Wide 115.6° (D) x 97.9° (H) x 75.6° (V) Tele 43.3° (D) x 34.3° (H) x 25.4° (V)
	1/3 inch	Wide 103.7° (D) x 87.8° (H) x 67.7° (V) Tele 39.7° (D) x 31.3° (H) x 23.2° (V)
Mount	CS mount	
Dimenssions	Φ 28.0 x 44.0(H) x 35.1(L)mm	
Weight	47g	
Iris	P-iris	
Focus	Manual	
Zoom	Manual	



Exciting Pattern

Pin No.	Step Phase	Close →		← Open	
		1	2	3	4
1	A	H	L	L	H
2	\bar{A}	L	H	H	L
3	B	H	H	L	L
4	\bar{B}	L	L	H	H

