

KVM2812NPIR
2.8-12mm F1.4

IR
3 Mega
P-iris

- * P-iris
- * IR corrected (Day & Night)
- * 3 Megapixel
- * CS mount for 1/2.7 & 1/3 inch



Model Name

KVM2812NPIR

Image Format
 Focal Length
 Iris Range
 M.O.D.
 Angle of View

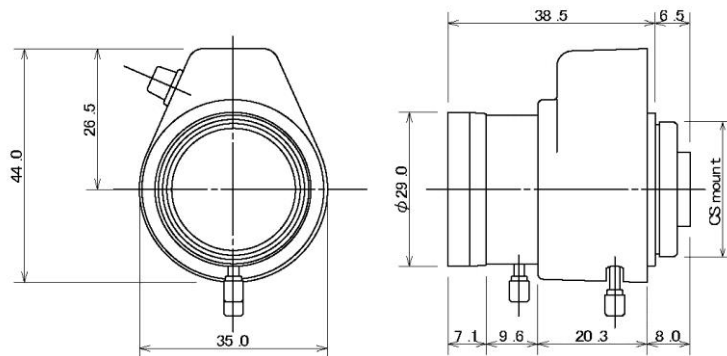
1/2.7 & 1/3 inch
 2.8-12mm
 F1.4-360
 0.3m
 1/2.7 inch Wide 115.6° (D) x 97.9° (H) x 75.6° (V)
 Tele 39.0° (D) x 31.2° (H) x 23.4° (V)
 1/3 inch Wide 103.7° (D) x 87.8° (H) x 67.7° (V)
 Tele 36.0° (D) x 28.8° (H) x 21.6° (V)

Mount
 Dimensions
 Weight

CS mount
 Φ 29.0 x 44.0(H) x 38.5(L)mm
 47g

Iris
 Focus
 Zoom

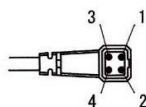
P-iris
 Manual
 Manual



Exciting Pattern

Close → ← Open

Pin No.	Step	1	2	3	4
	Phase				
1	A	H	L	L	H
2	\bar{A}	L	H	H	L
3	B	H	H	L	L
4	\bar{B}	L	L	H	H



Kawaden