

# KZ20X1025

## 10-200mm F2.5

\* Smallest 20X 10-200mm

\* C mount for 1/2 & 1/3 inch

### Models:

KZ20X1025M (Remote iris)

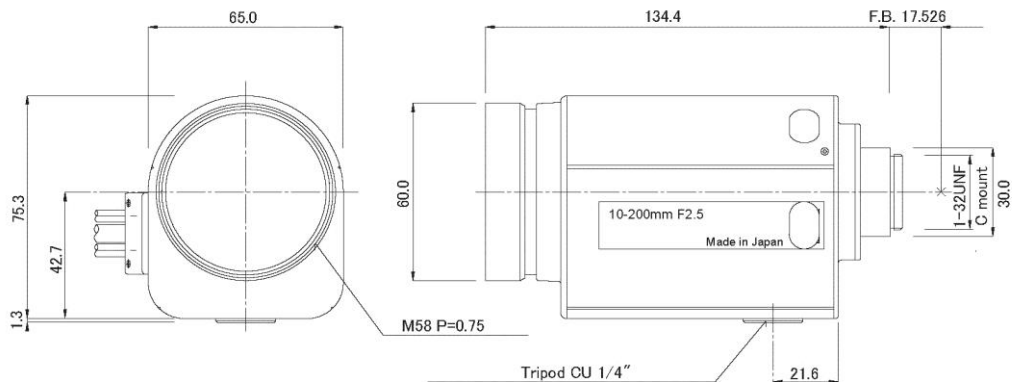
KZ20X1025MP (Remote iris, Preset)

KZ20X1025D (DC iris)

KZ20X1025DP (DC iris, Preset)



Model Name	KZ20X1025D	
Image Sensor	1/2 & 1/3 inch	
Focal Length	10-200mm	
Aperture Range	F2.5-360	
M.O.D.	2.5m	
Angle of View	1/2 inch	Wide 43.6° (D) x 35.5° (H) x 27.0° (V) Tele 2.3° (D) x 1.8° (H) x 1.4° (V)
	1/3 inch	Wide 33.4° (D) x 27.0° (H) x 20.7° (V) Tele 1.7° (D) x 1.4° (H) x 1.0° (V)
Filter Size	M58 P=0.75	
Mount	C mount	
Dimensions	65.0(W) x 75.3(H) x 134.9(L)mm	
Weight	600g (D), 620g (DP)	
Iris	DC auto (Galvano meter)	
	Response Speed	3 seconds or less
Focus	Input Voltage	DC6-12V
	Response Speed	Approx. 11 seconds (6V)
Zoom	Input Voltage	DC6-12V
	Response Speed	Approx. 12 seconds (6V)



**Kawaden**