

KZ60X1245DPIR-EXF
12.5-750mm F4.5
(25-1500mm F9.0)

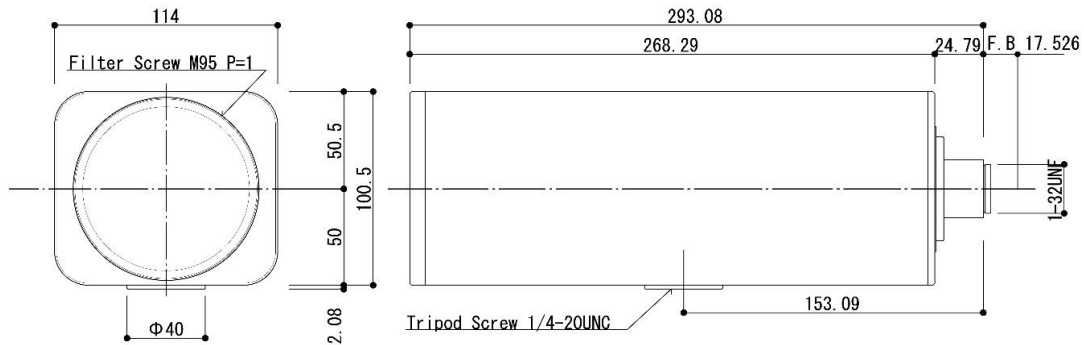
IR

- * DC iris with Preset on Focus & Zoom
- * HD Resolution
- * IR corrected (Day & Night)
- * Built-in 2X motorized Extender
- * Built-in Removable Fog Cut Filter
- * Optical Axis Adjustable Mechanism



Option:
KZ60X1245DPIR-EX (w/o Fog Cut Filter)

Model Name		KZ60X1245DPIR-EXF	
Image Sensor		1/2 & 1/3 inch	
Focal Length		12.5-750mm (25-1500mm)	
Aperture Range		F4.5-360 (F9.0-720)	
M.O.D.		6m	
Angle of View	1/2 inch	at 12.5mm	35.5° (D) x 28.7° (H) x 21.7° (V)
		at 750mm	0.61° (D) x 0.49° (H) x 0.37° (V)
		(at 25mm)	(18.2° x 14.6° x 11.0°)
	1/3 inch	(at 1500mm)	(0.31° x 0.24° x 0.18°)
		at 12.5mm	27.0° (D) x 21.7° (H) x 16.4° (V)
		at 750mm	0.46° (D) x 0.37° (H) x 0.28° (V)
	(at 25mm)	(13.7° x 11.0° x 8.2°)	
	(at 1500mm)	(0.23° x 0.18° x 0.14°)	
Filter Size		M95 P=1.0	
Mount		C mount	
Dimensions		114.0(W) x 100.5(H) x 293.5(L)mm	
Weight		Approx. 3,200g	
Iris		DC auto (Galvano meter)	
Focus	Response Speed	3 seconds or less	
	Input Voltage	DC6-12V	
Zoom	Response Speed	Approx. 20 seconds (6V)	
	Input Voltage	DC6-12V	
	Response Speed	Approx. 10 seconds (6V)	



Kawaden