

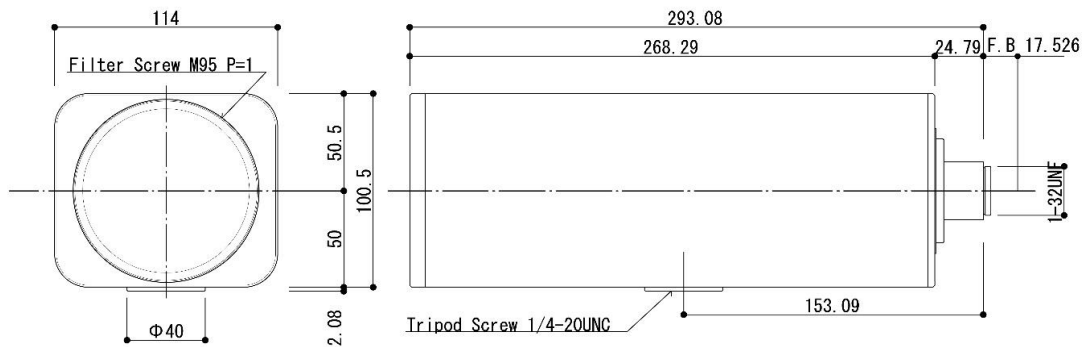
KZ60X1245DPIR
12.5-750mm F4.5

IR

- * Compact 750mm zoom lens
- * IR corrected (Day & Night)
- * Only 294mm long, 3,000g in weight
- * C mount for 1/2 & 1/3 inch



Model Name	KZ60X1245DPIR	
Image Sensor	1/2 & 1/3 inch	
Focal Length	12.5-750mm	
Aperture Range	F4.5-360	
M.O.D.	6m	
Angle of View	1/2 inch	Wide 35.5° (D) x 28.7° (H) x 21.7° (V) Tele 0.61° (D) x 0.49° (H) x 0.37° (V)
	1/3 inch	Wide 27.0° (D) x 21.7° (H) x 16.4° (V) Tele 0.46° (D) x 0.37° (H) x 0.28° (V)
Filter Size	M95 P=1.0	
Mount	C mount	
Dimensions	114.0(W) x 100.5(H) x 293.5(L)mm	
Weight	Approx. 3,000g	
Iris	DC auto (Galvano meter)	
	Response Speed	3 seconds or less
Focus	Input Voltage	DC6-12V
	Response Speed	Approx. 20 seconds (6V)
Zoom	Input Voltage	DC6-12V
	Response Speed	Approx. 10 seconds (6V)



Kawaden