

**KZM30X1028IR**  
**10-300mm F2.8**

**IR**  
**Mega**

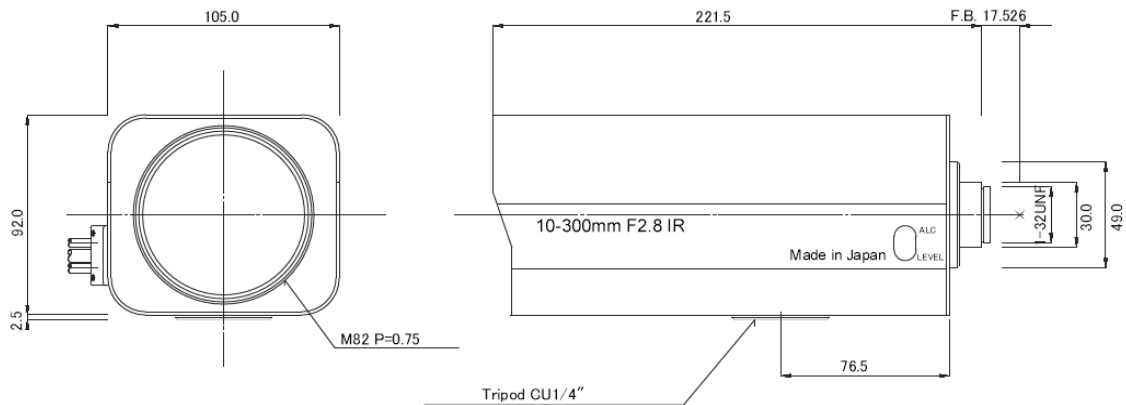
- \* Megapixel
- \* IR corrected (Day & Night)
- \* C mount for 1/2 & 1/3 inch

**Models:**

- KZ30X1028D (DC iris)**
- KZ40X1028DP (DC iris, Preset)**



Model Name	KZM30X1028D	
Image Sensor	1/2 & 1/3 inch	
Focal Length	10-300mm	
Aperture Range	F2.8-360	
M.O.D.	3m	
Angle of View	1/2 inch	Wide 43.6° (D) x 35.5° (H) x 27.0° (V) Tele 1.5° (D) x 1.2° (H) x 0.9° (V)
	1/3 inch	Wide 33.4° (D) x 27.0° (H) x 20.7° (V) Tele 1.1° (D) x 0.9° (H) x 0.7° (V)
Filter Size	M82 P=0.75	
Mount	C mount	
Dimensions	105.0(W) x 92.0(H) x 221.5(L)mm	
Weight	Approx. 1950g	
Iris	DC auto (Galvano meter)	
	Response Speed	3 seconds or less
Focus	Input Voltage	DC6-12V
	Response Speed	Approx. 10 seconds (6V)
Zoom	Input Voltage	DC6-12V
	Response Speed	Approx. 6.5 seconds (6V)



**Kawaden**